

→ Classic 60-N Set

	For glass thickness mm	Version	Door width mm	Cat. No.
For 1-leaf sliding doors without running track, with floor guide	8	Version A1 without soft and self closing mechanism	–	940.60.008
	10	Version A2 without soft and self closing mechanism	–	940.60.009

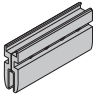
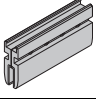
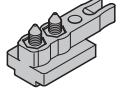
Order reference

Order 2 sets for 2-leaf sliding doors.

Version **A** includes only one track buffer. Please order further track buffers separately, if required.

Set for door glass thickness 12 mm on request.

→ Classic 60-N Set components

		Mounting	Suitable for	For 1 door	Cat. No.
Running gear, 4 rollers, suspension screw with nut, flange clip for hooking in (without tools), nickel plated zinc, without soft and self closing mechanism with floor guide	Fig. see soft closing versions overview	Left	Version A1	1 piece	940.60.017
			Version A2		
		Right	Version A1	1 piece	940.60.018
			Version A2		
Glass clamp shoe set for glass thickness 8 mm, with floor guide and lateral end caps		–	Version A1	1 piece	940.42.023
Glass clamp shoe set for glass thickness 10 mm, with floor guide and lateral end caps		–	Version A2	1 piece	940.60.023
Track buffer with retaining spring and rubber buffer, plastic, grey		–	Version A1	1 piece	940.42.041
			Version A2		

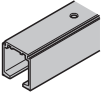
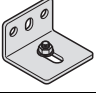
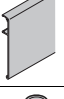

Order reference

Catalogue numbers refer to 1 piece. Please specify required quantity when ordering individual components.

→ Tracks and accessories

Note

Install wall mounting brackets every 400 mm.

		Material	Finish/colour	Length mm	Cat. No.
Single running track, pre-drilled, 31 x 33 mm (W x H)		Aluminium	Bright	2000	940.43.921
				3000	940.43.931
				6000	940.43.961
Mounting bracket, with screw and nut		Steel	Galvanized	–	940.42.061
Clip panel, height 115 mm		Aluminium	Silver coloured anodized	2000	940.43.420
				3000	940.43.430
				6000	940.43.460
Floor guide with zero clearance		Plate: Stainless steel, guide: Plastic	Plate: Matt, guide: Black	–	940.43.033

Door handles for sliding doors ▶ AH 1.105

Individual components ▶ AH 7.108

Accessories ▶ AH 7.130

Door seals for sliding doors ▶ AH 7.132

Flush pull handles ▶ AH 7.174

Sliding door locks ▶ AH 8.56